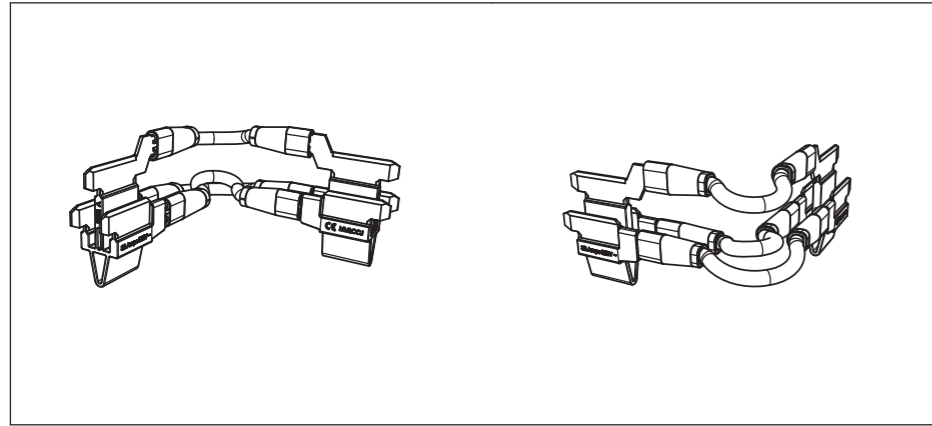
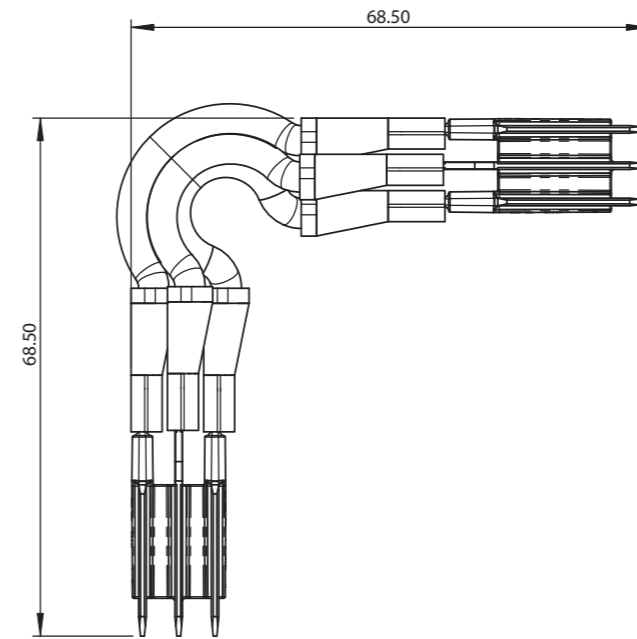


# MLQCCJ

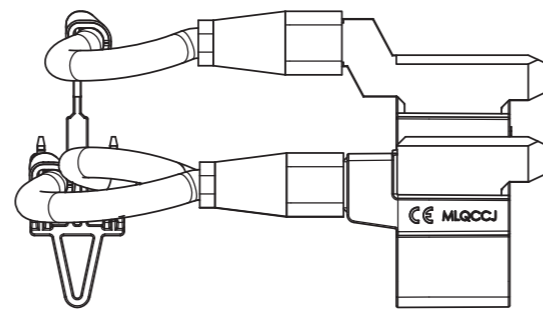
QUICK CONNECT CORNER JOINER



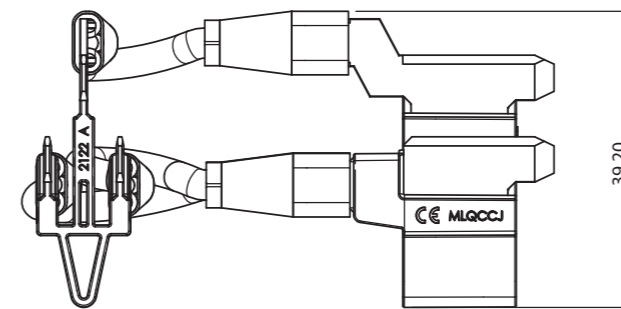
PERSPECTIVE VIEWS



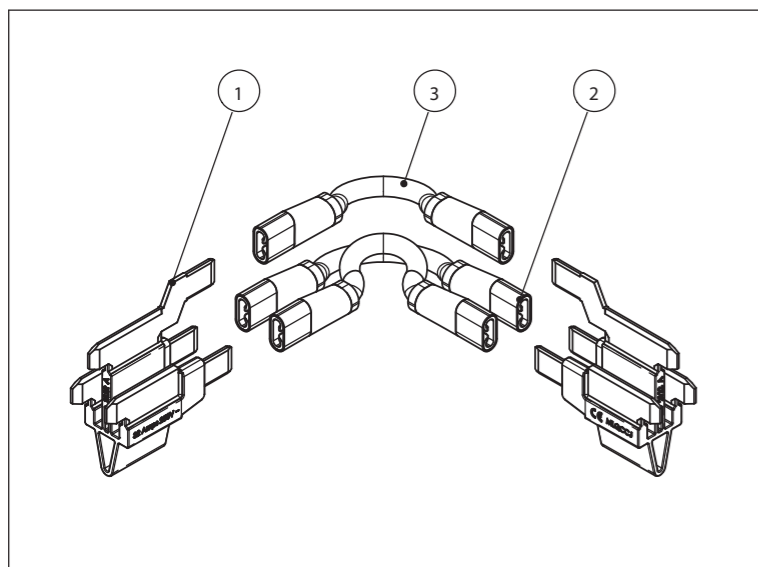
TOP VIEW



LEFT SIDE VIEW



FRONT VIEW



EXPLODED VIEW

ITEM NO.	PART NUMBER	QTY.
1	Plastic Base Sub-Assembly	2
2	Long Cable Sub-Assembly	1
3	Cable Sub-Assembly	2



The information contained in this drawing is the sole property of Power & Data Corporation. Any reproduction in part or as a whole without the written permission of Power & Data Corporation is prohibited. Copyright © Power & Data Corporation All rights reserved.

ALL DIMENSIONS IN MILLIMETRES  
DO NOT SCALE

